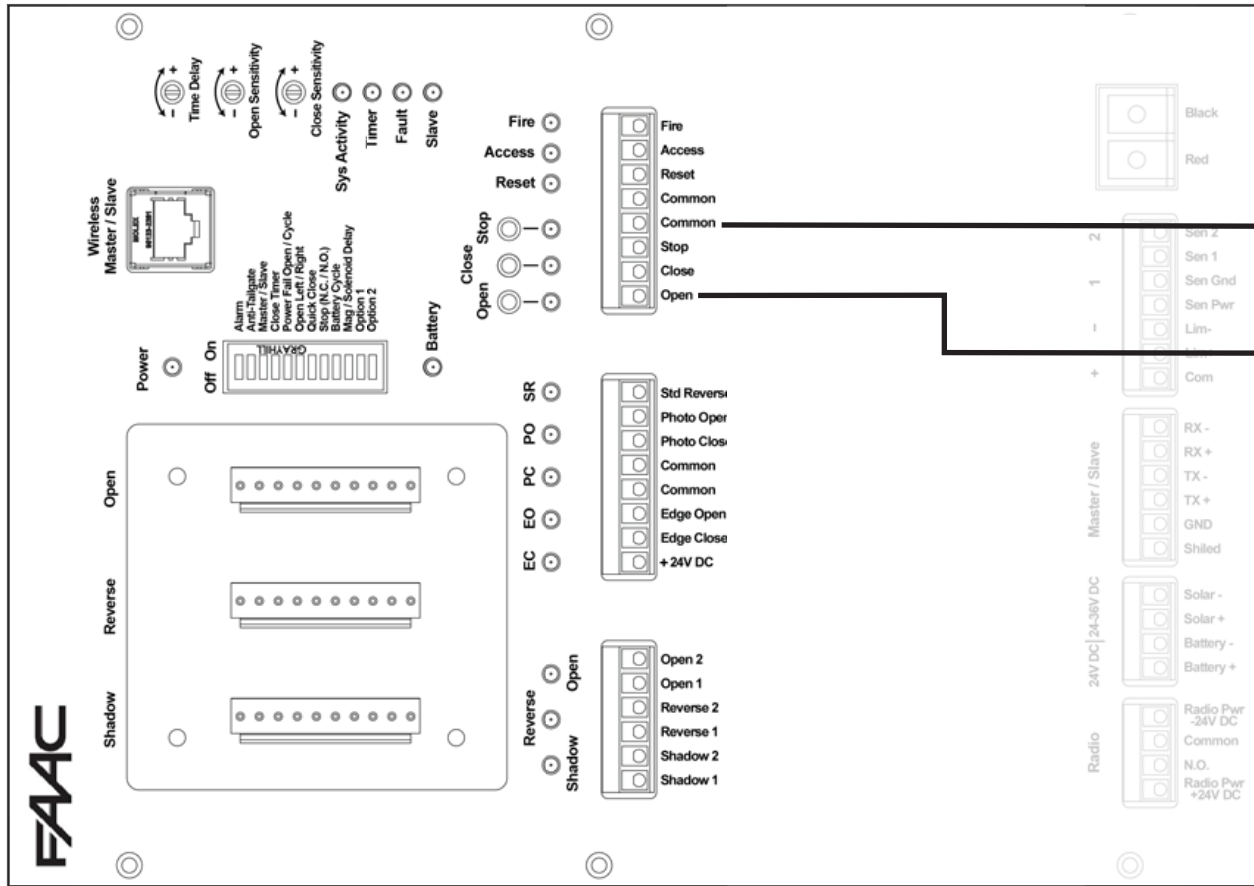


FAAC

Free Exit Slide Gates

OVS-01GT wiring



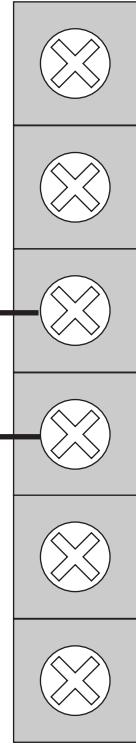
⊖ COMM

⊕ SIG

Use separate
12VDC/24VDC
200mA minimum
power supply

⊖

⊕



Input

Output

Power